



A Moen Incorporated Brand

S P E C I F I C A T I O N S H E E T

DESCRIPTION

- Metal construction with chrome plated finish
- 4" metal wing style handles
- 1/2" IPS connections
- Six (6) individual boxes per master carton
- Features red/blue hot/cold temperature indicators

OPERATION

- 4" metal wing style handles
- Will operate with less than 5 lbs. of torque
- No grasping motion required to operate the faucet handles
- All-metal stops on handles and escutcheons withstand >300 in. lbs. of torque

FLOW

- Spout flow is limited to 2.0 gpm (7.6 L/min) at 60 psi

CRITICAL DIMENSIONS

- This faucet is designed to be installed through 3 holes, 1" minimum diameter, 4" centers
- Maximum deck thickness 1.75" (44.5 mm)

CARTRIDGE

- Ceramic disc technology
- Non-metallic, non-ferrous, and brass material
- Single body construction for easy replacement
- 1/4 turn movement

STANDARDS

- Third party certified to ASME A112.18.1/CSA B125.1 and all applicable requirements referenced therein including NSF 61/9
- Contains no more than 0.25% weighted average lead content
- Complies with California Proposition 65 and with the Federal Safe Drinking Water Act

- **ADA** for lever handle

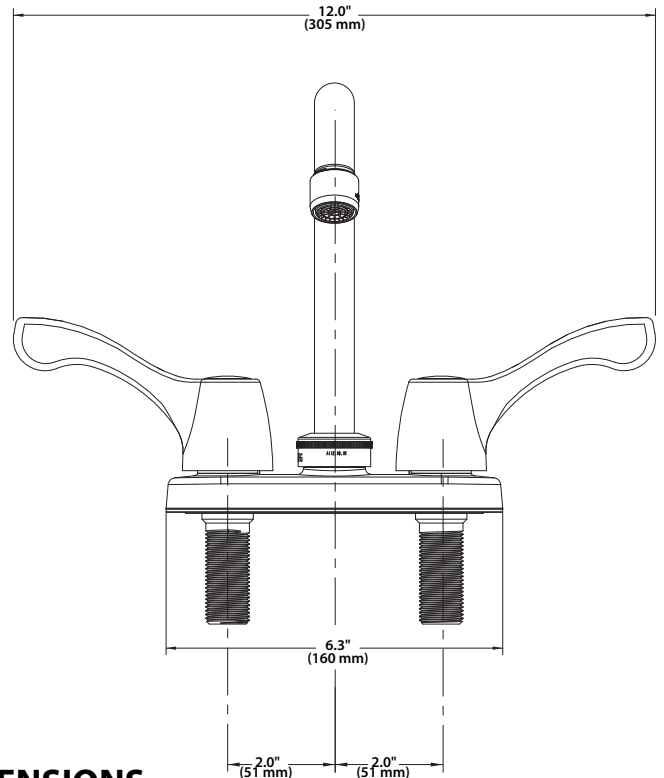
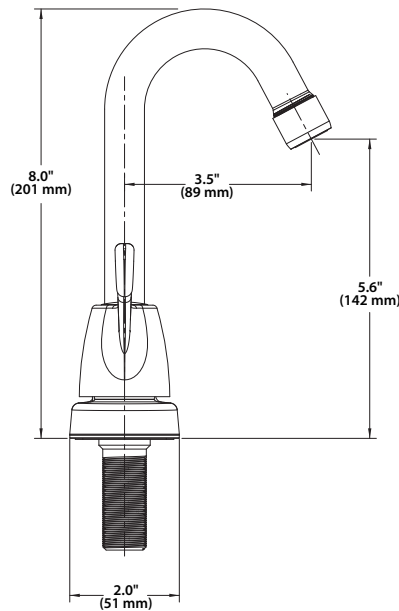
WARRANTY – RESIDENTIAL, COMMERCIAL

- Ten year limited warranty against defects in materials and manufacturing workmanship
- Refer to the installation instructions enclosed with each CFG product or call 1-888-450-4910 for complete warranty information



Two Handle Bar/Laboratory Faucet (Wing Handles)

Models: 40813



CRITICAL DIMENSIONS

(DO NOT SCALE)

PHOTO: SPENCER STODOLINSKI