

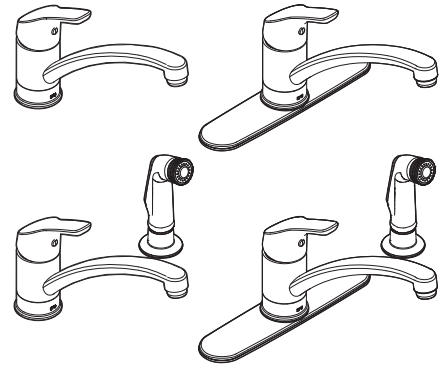


A Moen Incorporated Brand

Baystone™



Models:
CA42511 series • CA42512 series
CA42513 series with side spray
CA42514 series with side spray



One Handle Kitchen

DESCRIPTION

- Metal construction with various finishes identified by suffix
- CA42511 – 1/2" IPS connection
- CA42512 – Flexible supplies with 3/8" compression fittings
- CA42513 – 1/2" IPS connection with matching finish side spray
- CA42514 – Flexible supplies with 3/8" compression fittings and matching finish side spray
- Six (6) individual boxes per master carton

OPERATION

- Pivot action, lever style handle
- Temperature control by 90° arc of handle travel
- Will operate with less than 5 lbs. of torque
- No grasping motion required to operate the faucet handle
- Feature red/blue hot/cold temperature indicators

FLOW

- Spout flow is limited to 2.0 gpm (7.6 L/min) at 60 psi

CARTRIDGE

- Ceramic disc technology
- Non-metallic, non-ferrous, and brass materials
- Single body construction for easy replacement

STANDARDS

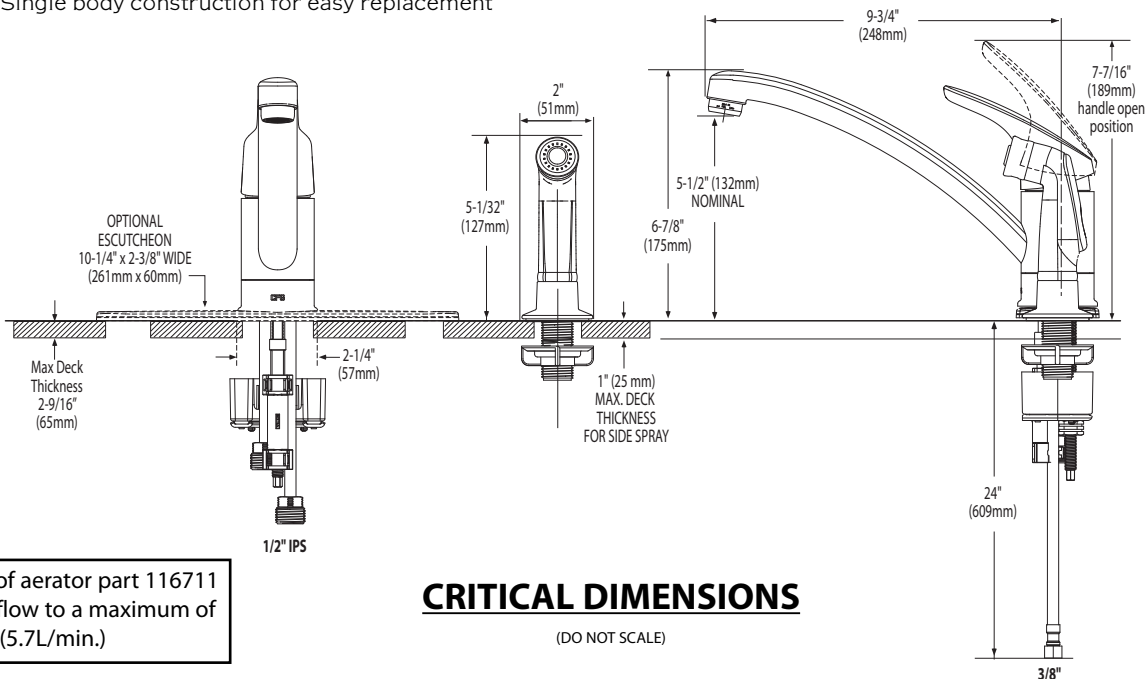
- Third party certified to ASME A112.18.1/CSA B-125.1, and all applicable requirements referenced therein, including NSF61/9
- Contains no more than 0.25% weighted average lead content
- Complies with California Proposition 65 and with the Federal Safe Drinking Water Act
- ADA for lever handle

WARRANTY – RESIDENTIAL, COMMERCIAL

- Ten year limited warranty against defects in materials and manufacturing workmanship
- Refer to the installation instructions enclosed with each CFG product or call 1-888-450-4910 for complete warranty information

NOTE:

- CA42513 & CA42514 are designed to install through 2 or 4 holes, 1-1/4" (32mm) min. dia. and 4" (102mm) on center
- CA42511 & CA42512 are designed to install through 1 or 3 holes, 1-1/4" (32mm) min. dia. and 4" (102mm) on center



The use of aerator part 116711 reduces flow to a maximum of 1.5 gpm (5.7L/min.)

CRITICAL DIMENSIONS

(DO NOT SCALE)