



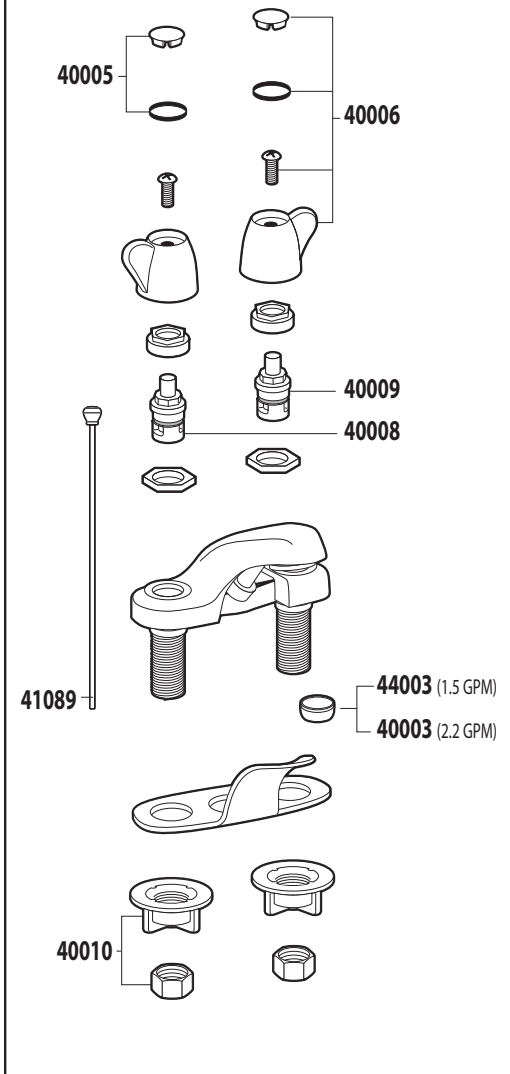
A Moen Incorporated Brand

CORNERSTONE® Two-Handle Lavatory Faucet with Metal Waste

MODEL	HANDLE	WASTE	FINISH
40210	Lever	All Metal	Chrome

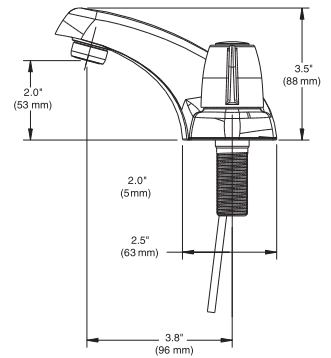
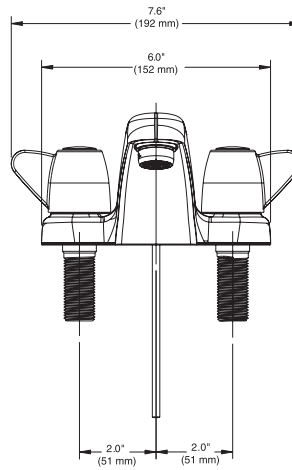
PART NUMBERS

Números de partes / Numéro de pièces



CRITICAL DIMENSIONS

- **Note:** This faucet is designed to be installed through 3 holes, 1" minimum diameter, 4" centers
- Maximum deck thickness 0.875" (22.2 mm)



All Metal Waste Assembly

40030 Chrome

