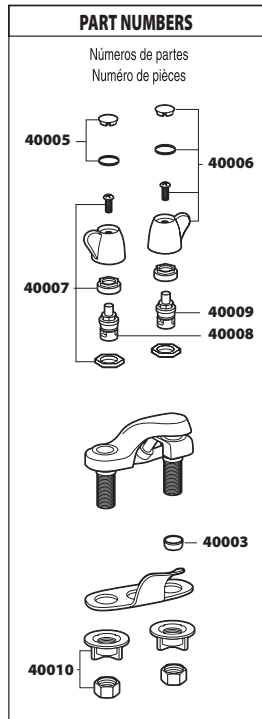
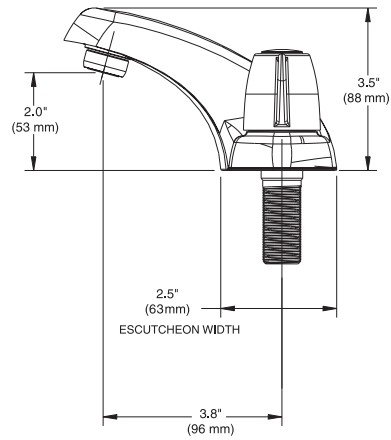
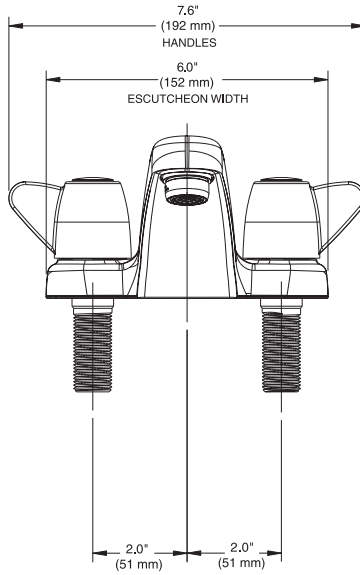




Model: 40212, 40213

**CRITICAL DIMENSIONS**

- NOTE: This faucet is designed to be installed through 3 holes.
- 1" minimum diameter, 4" centers
- Maximum deck thickness 0.875" (22.2mm)



**#40212, #40213**