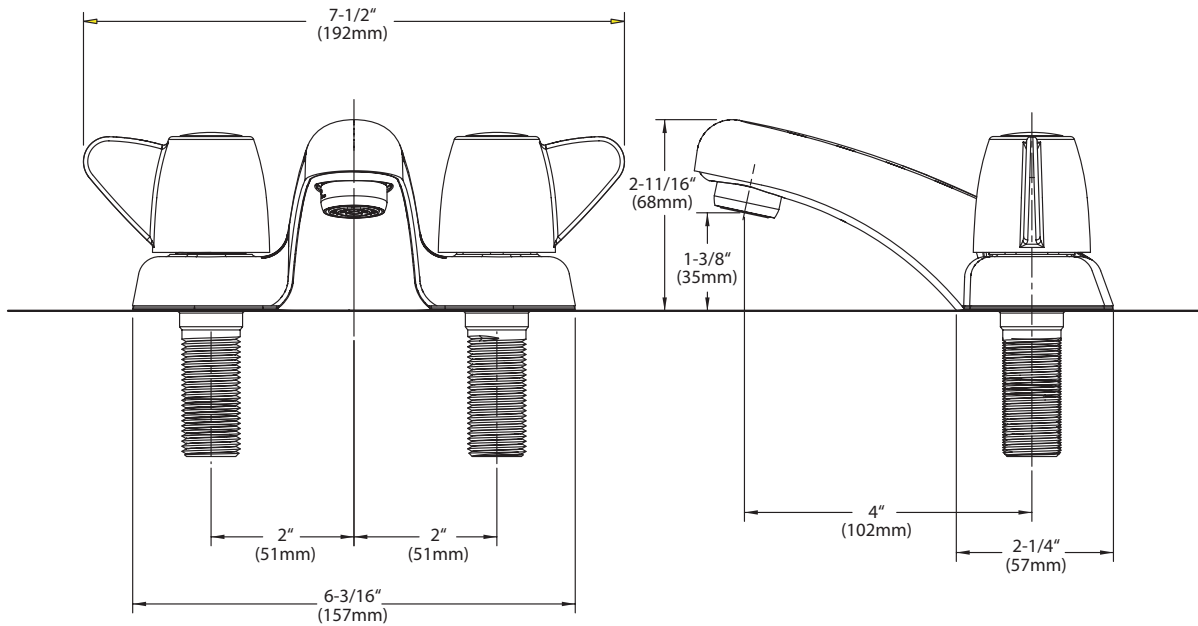




A Moen Incorporated Brand

CRITICAL DIMENSIONS

- **Note:** This faucet is designed to be installed through 3 holes, 1" minimum diameter, 4" centers
- Maximum deck thickness 0.875" (22.2 mm)



PART NUMBERS

Números de partes
 Numéro de pièces

40006

47005

40009

40008

1.2 GPM - 181088
 1.5 GPM - 44003
 2.2 GPM - 40003

40010