

Model: 40511 series Less Spray



A Moen Incorporated Brand



One Handle Kitchen

DESCRIPTION

- Metal construction with various finishes identified by suffix
- Hydrolock® Connection (for models built after November 2010)
- 1/2" IPS connections
- Six (6) individual boxes per master carton

OPERATION

- Pivot action, lever-style handle
- Temperature control by 90° arc
- Will operate with less than 5 lbs. of torque

FLOW

- Spout flow limited to 2.0 gpm (7.6 L/min) at 60 psi

CARTRIDGE

- Ceramic disc technology
- Non-metallic, non-ferrous, and plastic material
- Single body construction for easy replacement

NOTE

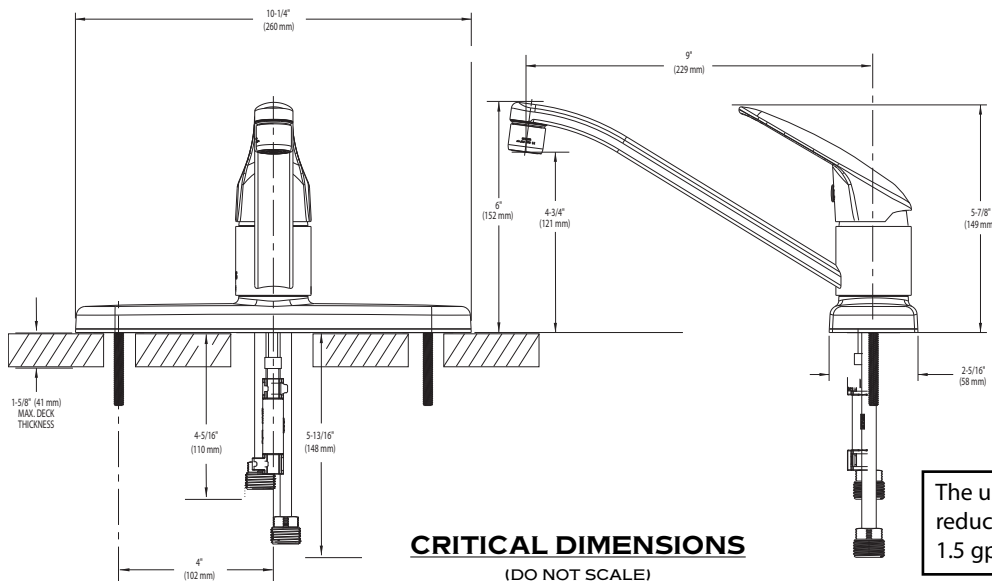
- 40511 series is designed to install through 3 holes 1-1/4" (32mm) MIN. DIA. and 4" (102mm) on center

STANDARDS

- Third party certified to ASME A112.18.1/CSA B-125.1, and all applicable requirements referenced therein, including NSF61/9
- Complies with California Proposition 65, and the Federal Safe Drinking Water Act
- Feature red/blue hot/cold temperature indicators
- ADA for lever handle

WARRANTY - RESIDENTIAL, COMMERCIAL

- Ten year limited warranty against defects in materials and manufacturing workmanship
- Refer to the installation instructions enclosed with each CFG product or call 1-888-450-4910 for complete warranty information



The use of aerator part 116711 reduces flow to a maximum of 1.5 gpm (5.7L/min.)

Model: CA40511 series Less Spray
CA40513 series With Spray



A Moen Incorporated Brand



One Handle Kitchen

DESCRIPTION

- Metal construction with various finishes identified by suffix
- Hydrolock® Connection (for models built after November 2010)
- 1/2" IPS connections
- Six (6) individual boxes per master carton

OPERATION

- Pivot action, lever-style handle
- Temperature control by 90° arc
- Will operate with less than 5 lbs. of torque

FLOW

- Spout flow limited to 2.0 gpm (7.6 L/min) at 60 psi

CARTRIDGE

- Ceramic disc technology
- Non-metallic, non-ferrous, and plastic material
- Single body construction for easy replacement

NOTE

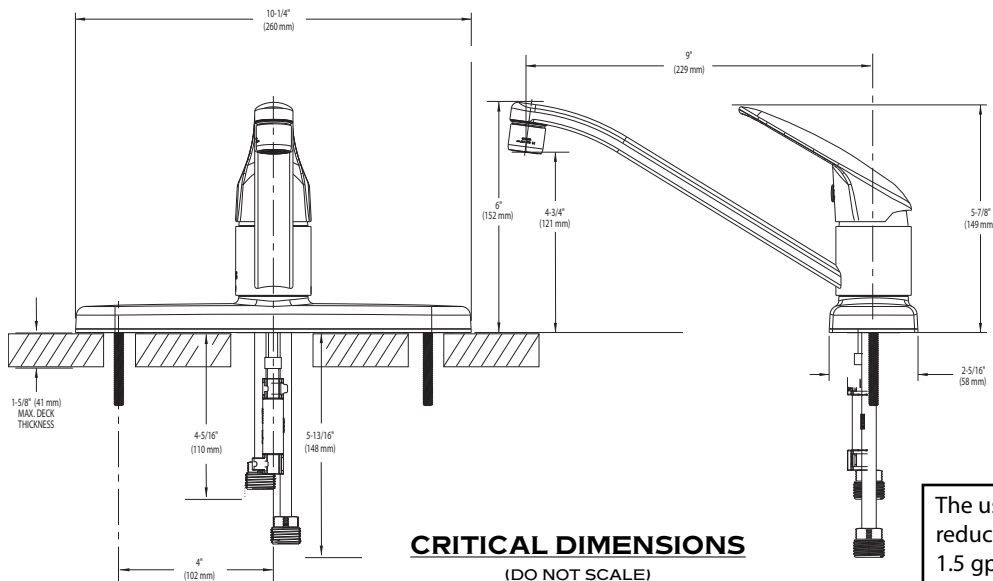
- CA40511 series is designed to install through 3 holes 1-1/4" (32mm) MIN. DIA. and 4" (102mm) on center

STANDARDS

- Third party certified to ASME A112.18.1/CSA B-125.1, and all applicable requirements referenced therein, including NSF61/9
- Contains no more than 0.25% average weighted lead content
- Complies with California Proposition 65, and the Federal Safe Drinking Water Act
- Feature red/blue hot/cold temperature indicators
- ADA for lever handle

WARRANTY - RESIDENTIAL, COMMERCIAL

- Ten year limited warranty against defects in materials and manufacturing workmanship
- Refer to the installation instructions enclosed with each CFG product or call 1-888-450-4910 for complete warranty information



The use of aerator part 116711 reduces flow to a maximum of 1.5 gpm (5.7L/min.)