



SPECIFICATIONS

DESCRIPTION

- Non-metallic spray face and shell
- Metal construction with various finishes identified by suffix
- Fixed mount showerhead only
- Brass swivel ball assembly

OPERATION

- Three functions: full spray, massage, and combination
- Rotate outer ring to select

FLOW

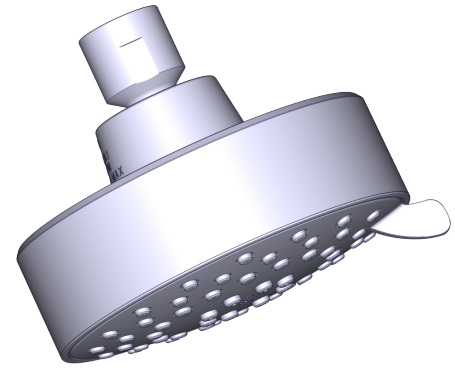
- Showerhead designed to deliver 1.1 gpm (4.2 L/min) at 45 psi, 1.5 gpm (5.7 L/min) max at 80 psi

STANDARDS

- Third party certified to: ASME A112.18.1/CSA B125.1 and all applicable requirements referenced therein
- Compliant with California water efficiency regulations
- Meets Watersense criteria

WARRANTY

- 10 year limited warranty against defects in materials and manufacturing workmanship
- 10 year limited warranty when used in a multifamily installation



CFG®

3 Function Fixed Showerhead

MODELS: 57951 series

